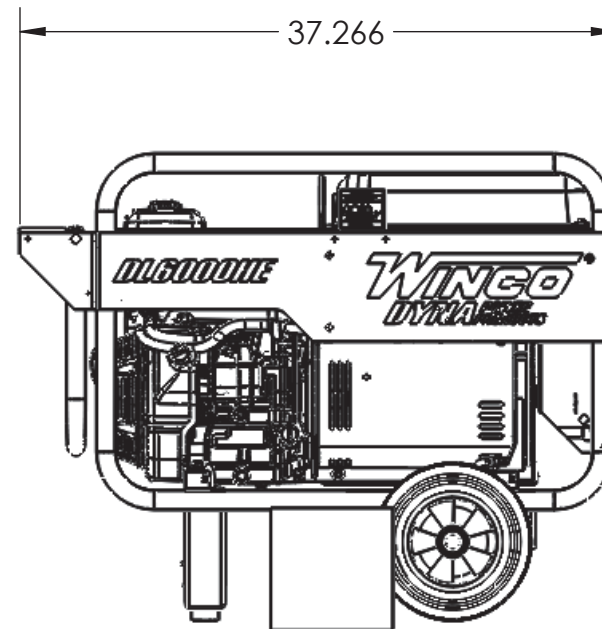
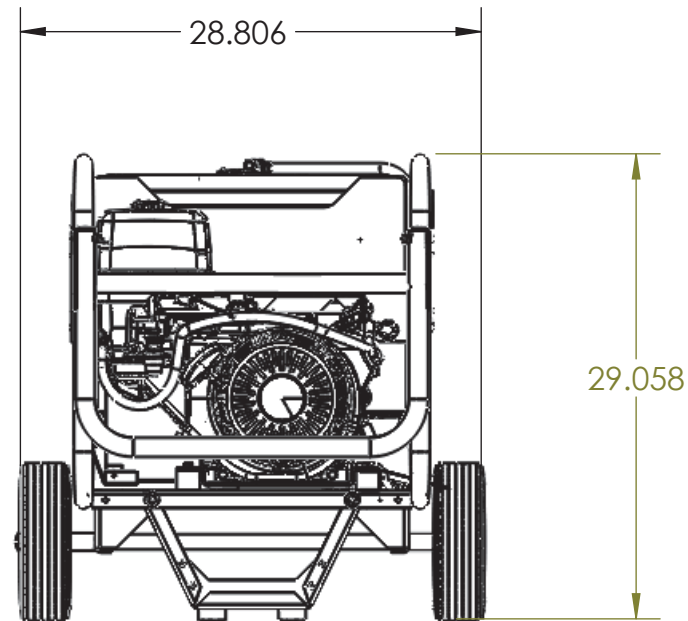
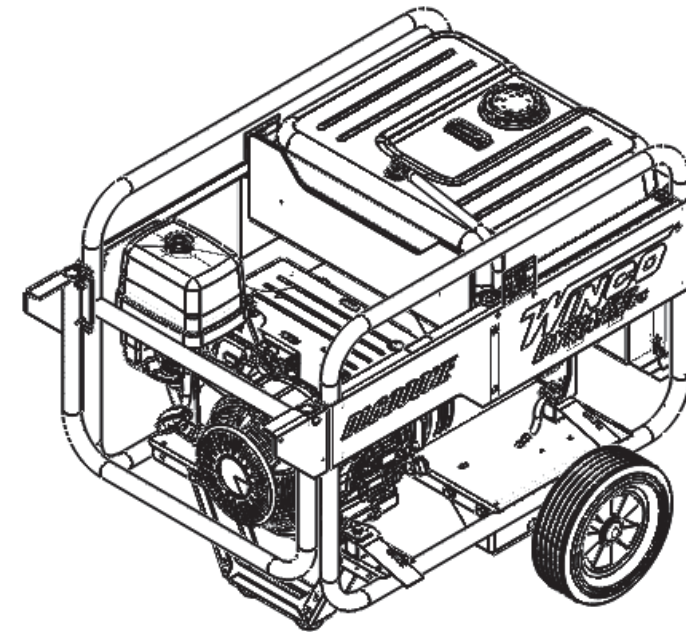
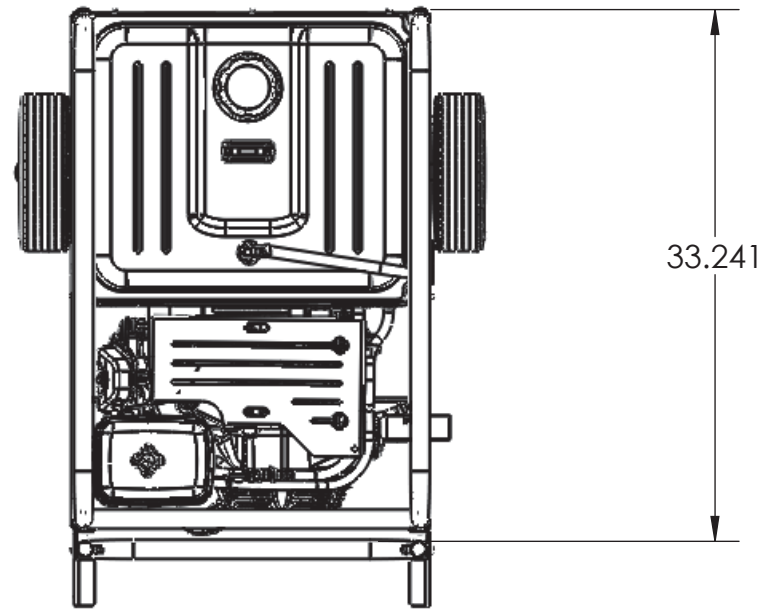


DOLLY KIT DIMENSIONS



ISSUE	E.C.O. NO.	DESCRIPTION	DATE	BY	APPR.
D	4286	SEE SHEET 1	9/10/2015	RJD	DRC
C		ADDED 15687-027 (HEAT SHIELD BAFFLE) TO BOM	9/3/2013	PJY	DRC
B	2144	CHG 93402-003 TO -001 REMOVED 16343-000	8/20/2013	PJY	DRC
A		ORIGINAL	2/26/2013	MVW	DRC
REVISION RECORD					

UNLESS OTHERWISE SPECIFIED					
FRACTIONS		ANGULAR	MACHINED SURFACE TEXTURE	ALL DIMENSIONS GIVEN IN INCHES WORK TO DIMENSIONS FLAT OUTSIDE VIEW SHOWN UNLESS NOTED -DO NOT SCALE-	
1 PLACE DEC.	.1	1.5			
2 PLACE DEC.	.015				
3 PLACE DEC.	.005				
	DRAWN BY	DATE	CHK'D BY	DATE	ENG APPR. DATE
	MVW	2/26/2013	DRC	3/18/2013	DRC 3/18/2013
THIS DRAWING CONTAINS PROPRIETARY INFORMATION BELONGING TO WINCO. UNAUTHORIZED USE IS PROHIBITED	MATERIAL:	NA			
	FINISH:	NA			
	MODEL:	DL, HPS, SMALL WC PORTABLES			
	WINCO ®				TITLE: DIMENSIONAL DRAWING
				PART NO.	16199-026 SHT2